

22WAY SIDE ENTRY FLEXI BRD SKT
 12 WAY SKT

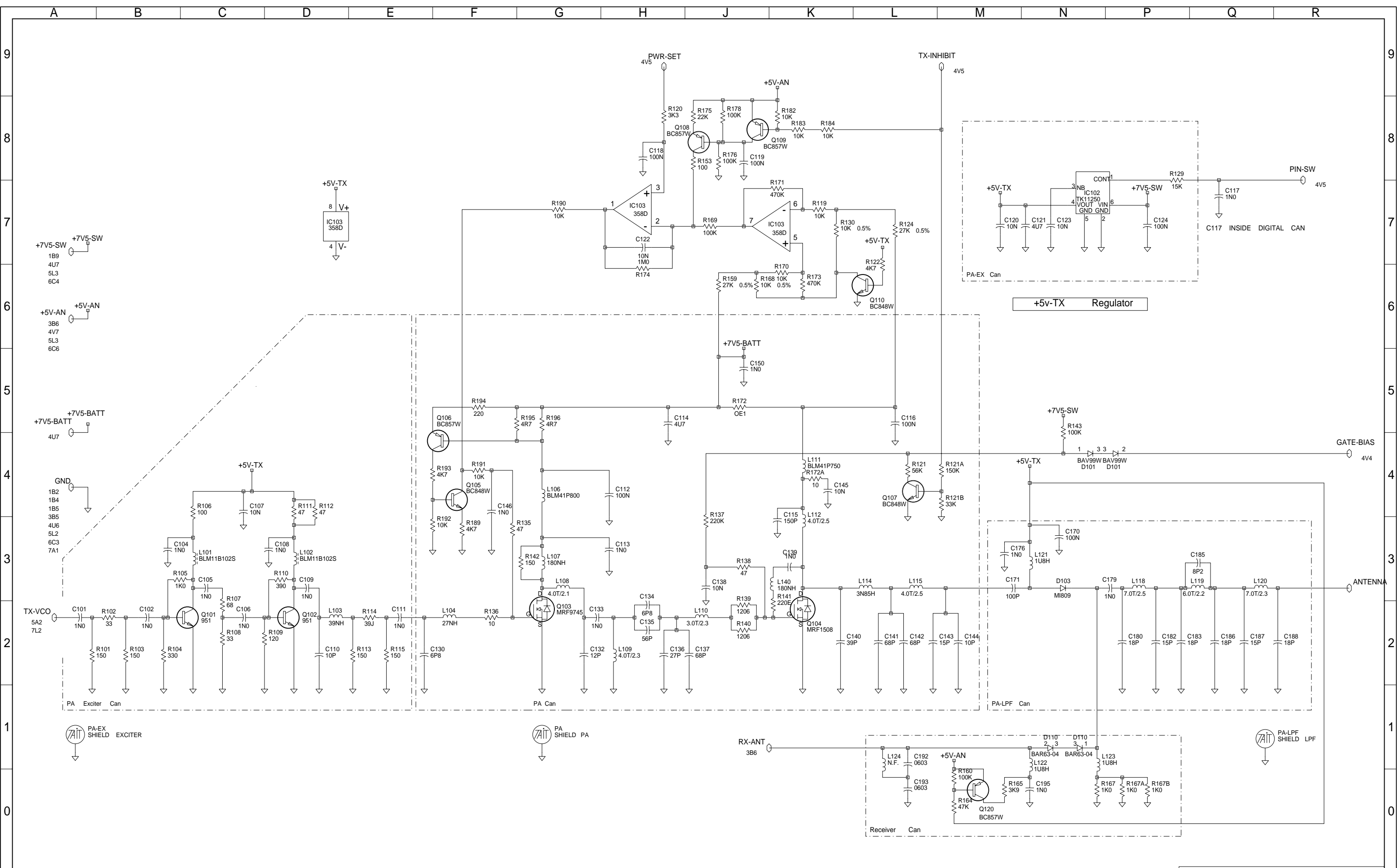
REV/ISS	AMENDMENTS	DRAWN	CHKD	D.O.	APVD	DATE
04 E	CHANGED PASTE FOR SMALL TCXO	BRD				31-05-99
04 D	CHANGED CAN NAMES TO MATCH BAAN	BRD				19-04-99
04 A	MORE PAMODS	DBH		DBH	CI	31/03/98
03 A	UPDATE TO INCL. NEW PA LINEUP	DJW/MJ				29/04/98

VHF
 Tait Orca

© **TAIT ELECTRONICS**
 ORCA :TP010-3122 136-174MHZ
 SYSTEM DIAGRAM

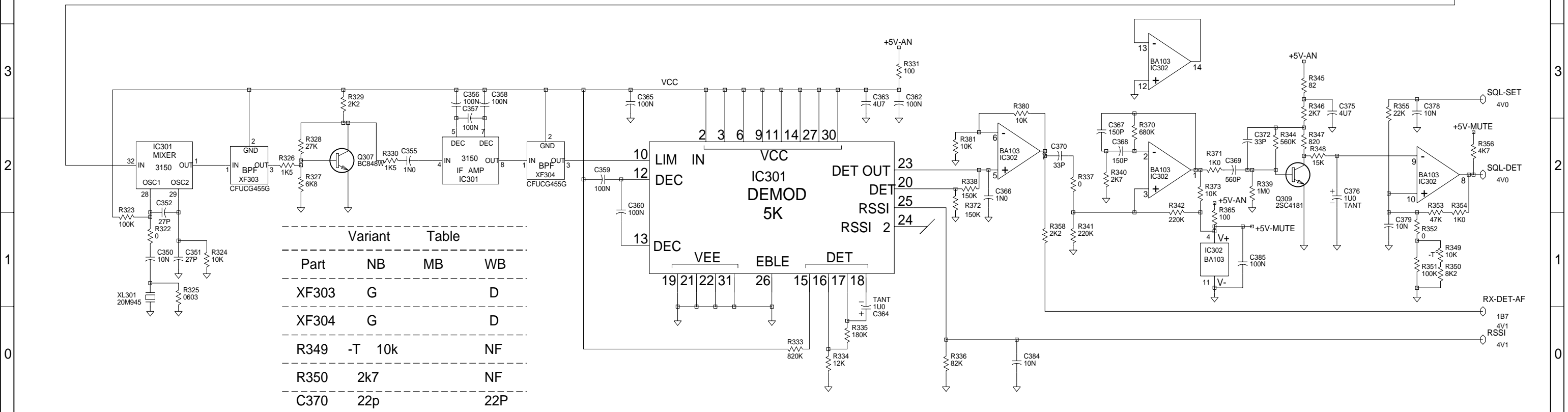
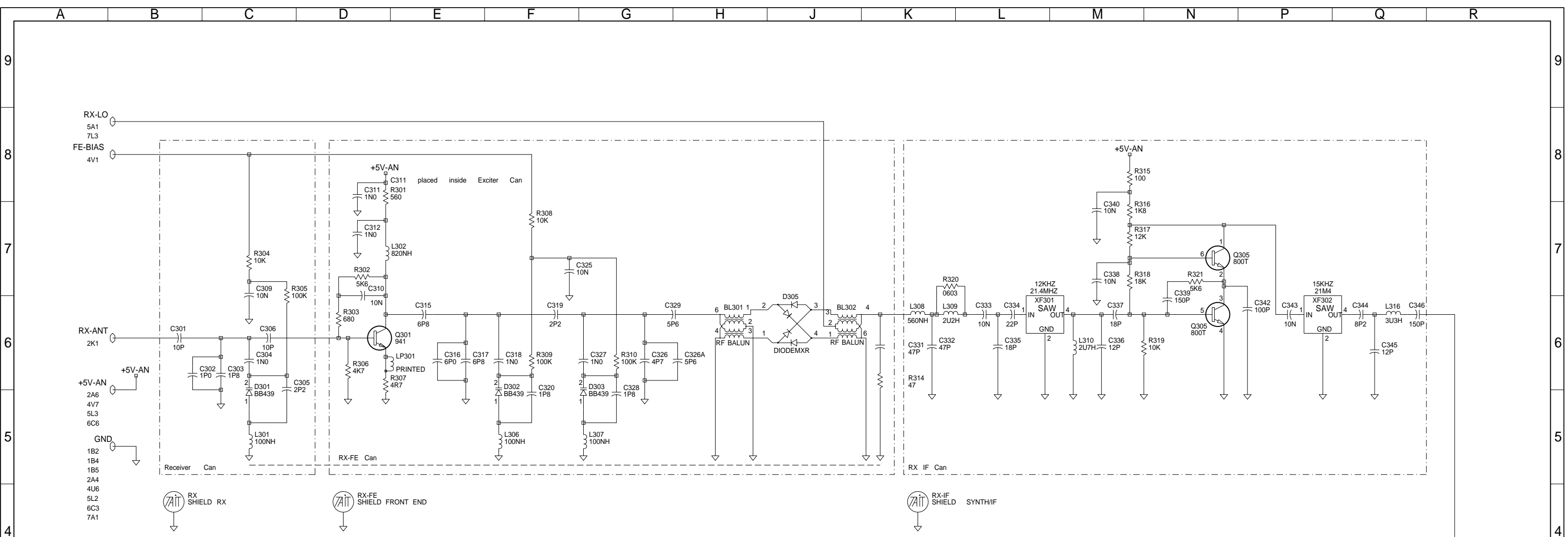
IPN: 220-01401-04
 ISSU: E
 ID: 2.S.C. 1

PROJECT: TAIT ORCA
 DESIGNER: BRD
 FILE NAME: 140104E
 FILE DATE: 31-05-99
 NO.SHEETS: 7



03A	NEW PA LINEUP (DW,BC-S,LL)	DJW			29/04/98
REV/ISS	AMENDMENTS	DRAWN	CHKD	D.O.	APVD DATE

© TAIT ELECTRONICS
 ORCA :TP010-3122 136-174MHZ
 POWER AMPLIFIER
 IPN: 220-01401-04 ISSUE: E ID: 2.S.C. 2
 PROJECT: TAIT ORCA DESIGNER: BRD FILE NAME: 140104E FILE DATE: 31-05-99 NO.SHEETS: 7

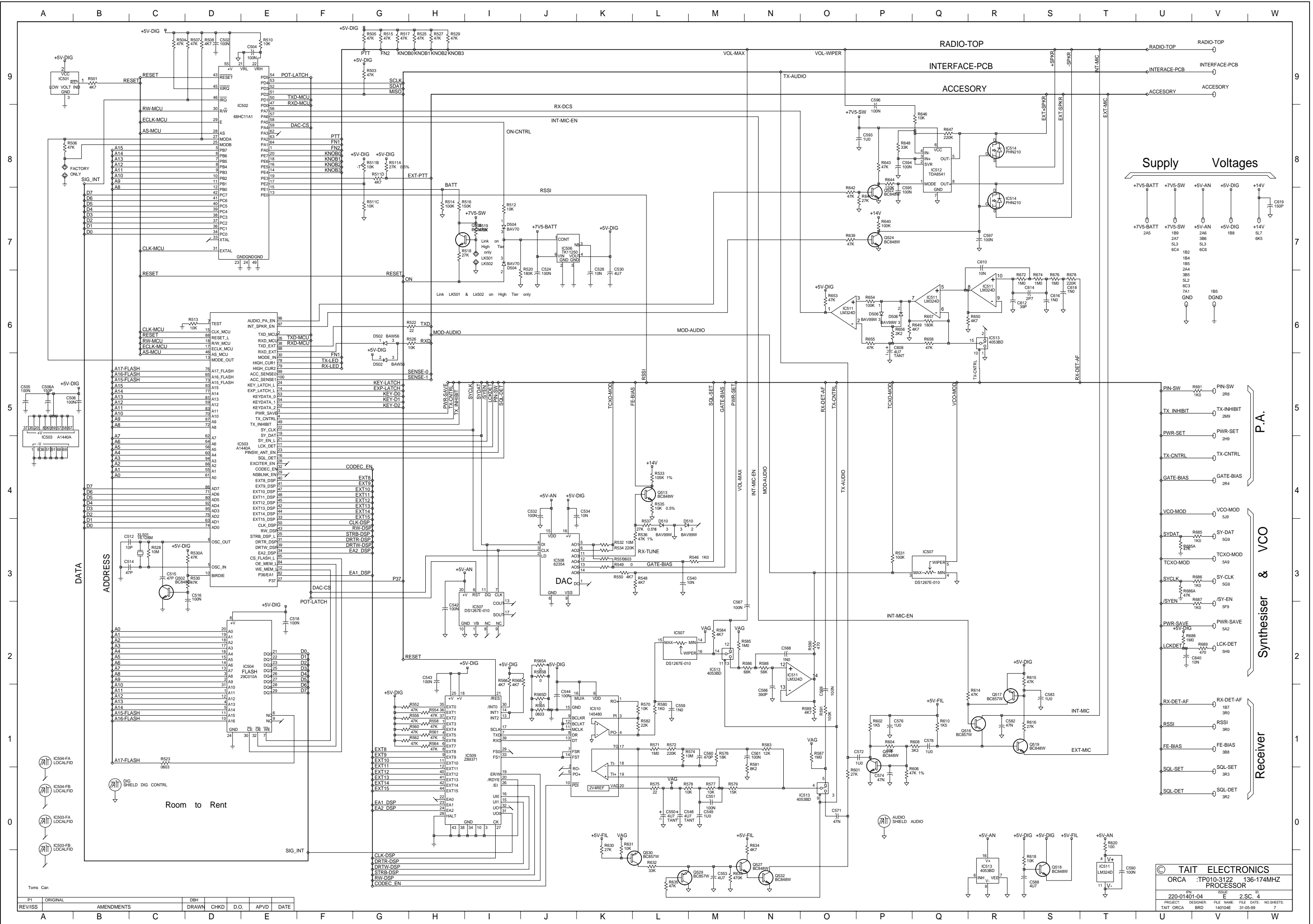


Variant Table

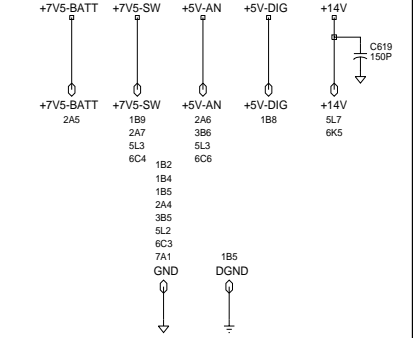
Part	NB	MB	WB
XF303	G		D
XF304	G		D
R349	-T	10k	NF
R350		2k7	NF
C370		22p	22P
C369		330P	330P

04C	500185	ROTATED TANT	C364	180	DEG	BRD			05-03-99	
03 A		COMP.VALUE CHANGES					DJW		28/04/98	
REV/ISS		AMENDMENTS				DRAWN	CHKD	D.O.	APVD	DATE

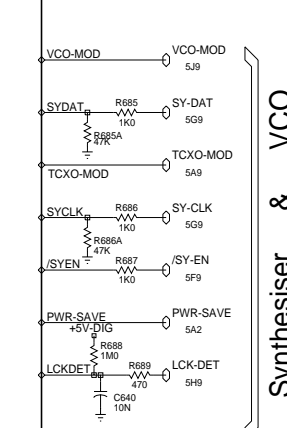
© TAIT ELECTRONICS
 ORCA :TP010-3122 136-174MHZ RECEIVER
 IPN: 220-01401-04 ISSUE: E ID: 2.S.C. 3
 PROJECT: TAIT ORCA BRD DESIGNER: 140104E FILE NAME: 31-05-99 NO.SHEETS: 7



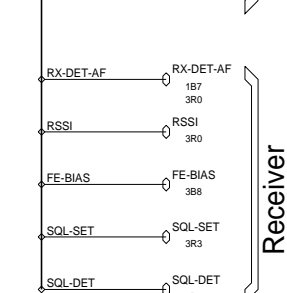
Supply Voltages



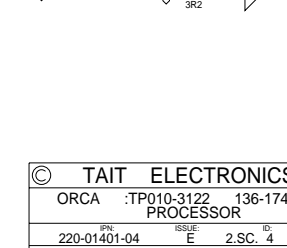
P.A.



Synthesiser & VCO

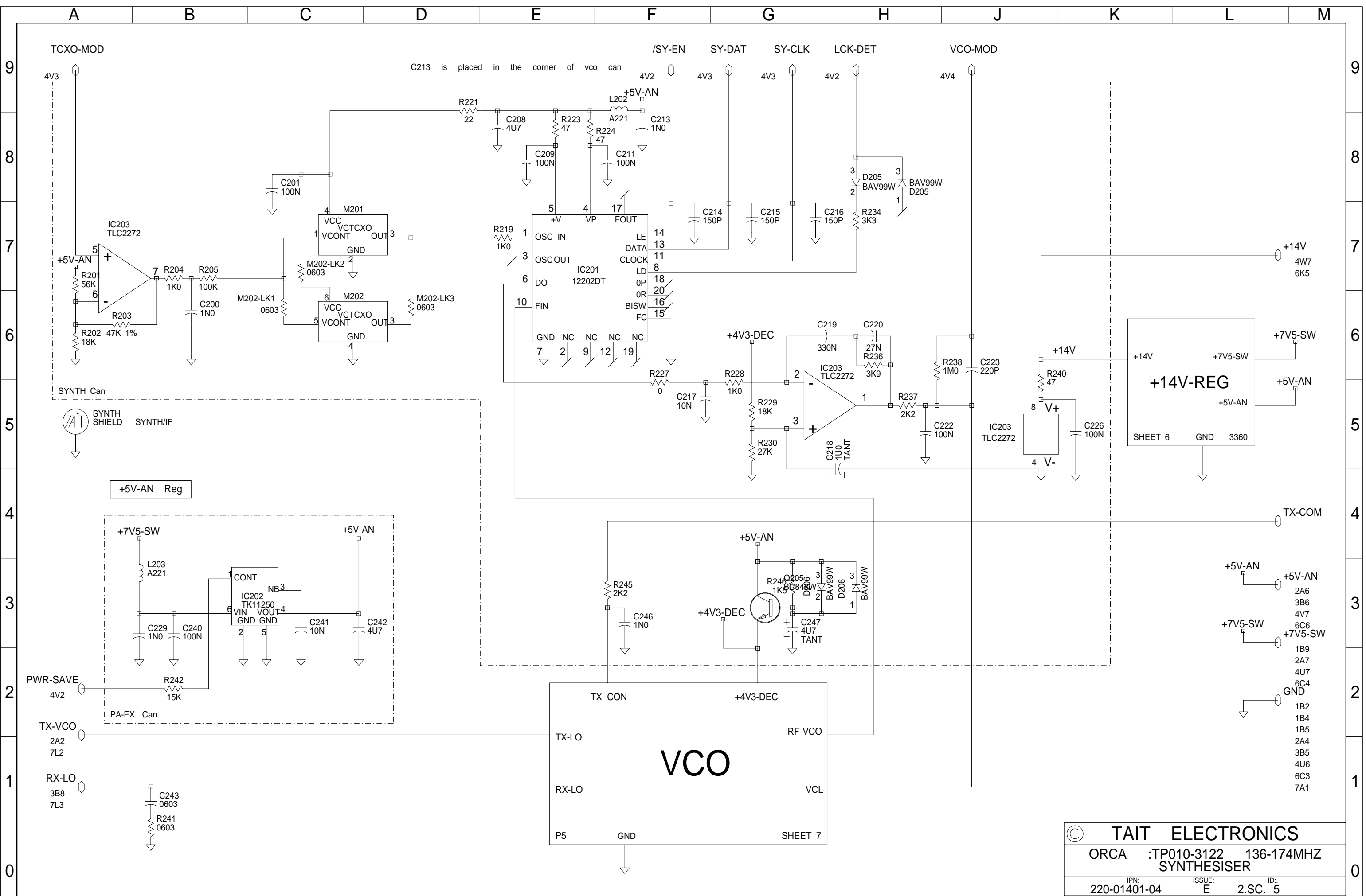


Receiver



REV/ISS	ORIGINAL	AMENDMENTS	DRAWN	CHKD	D.O.	APV/D	DATE
P1			DBH				

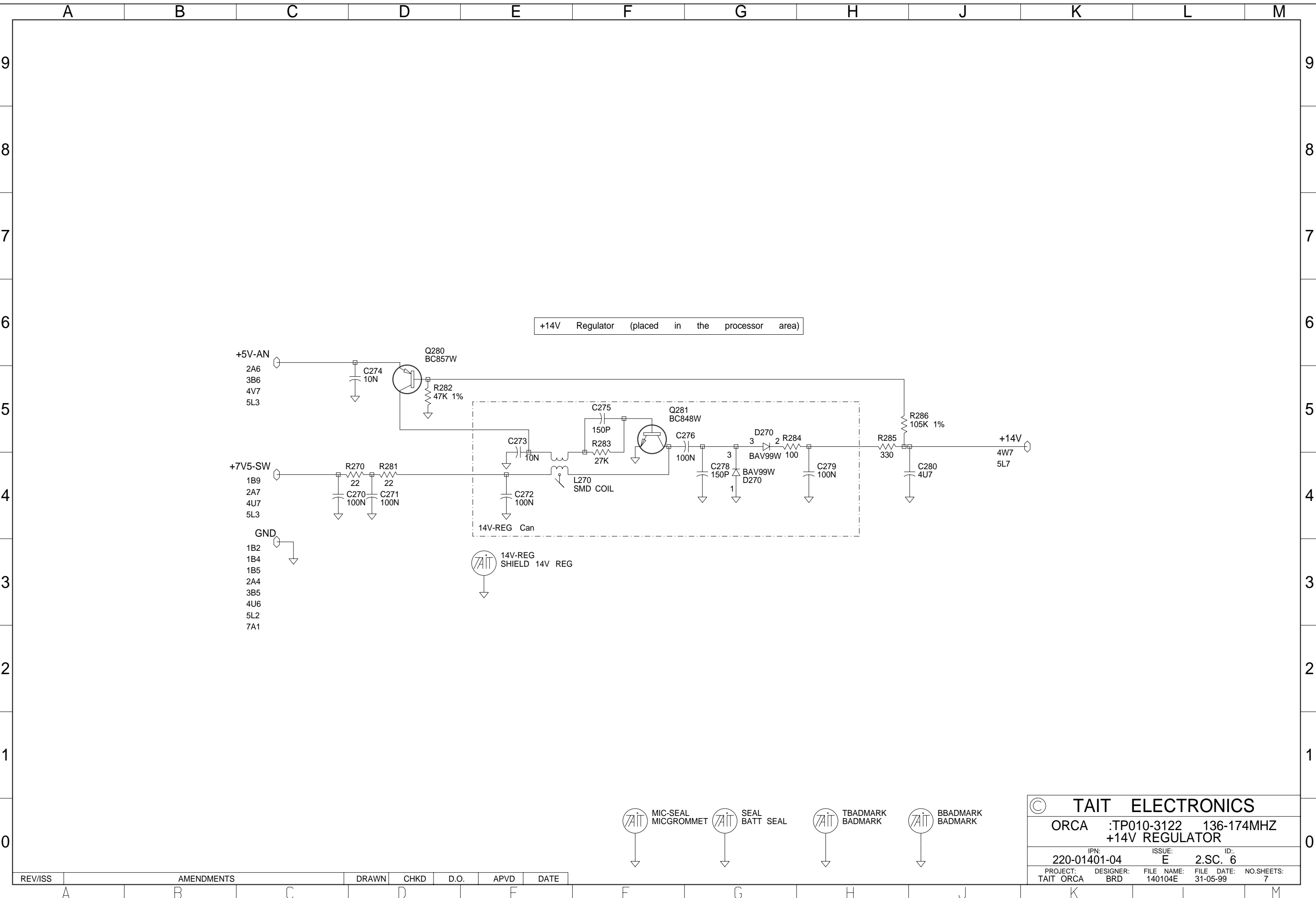
© TAIT ELECTRONICS
 ORCA :TP1010-3122 136-174MHZ
 PROCESSOR
 220-01401-04 E 2 SC 4
 PRODUCT DESIGNER FILE NAME FILE DATE NO SHEETS
 TAIT ORCA BRD 140104E 31-05-99 7



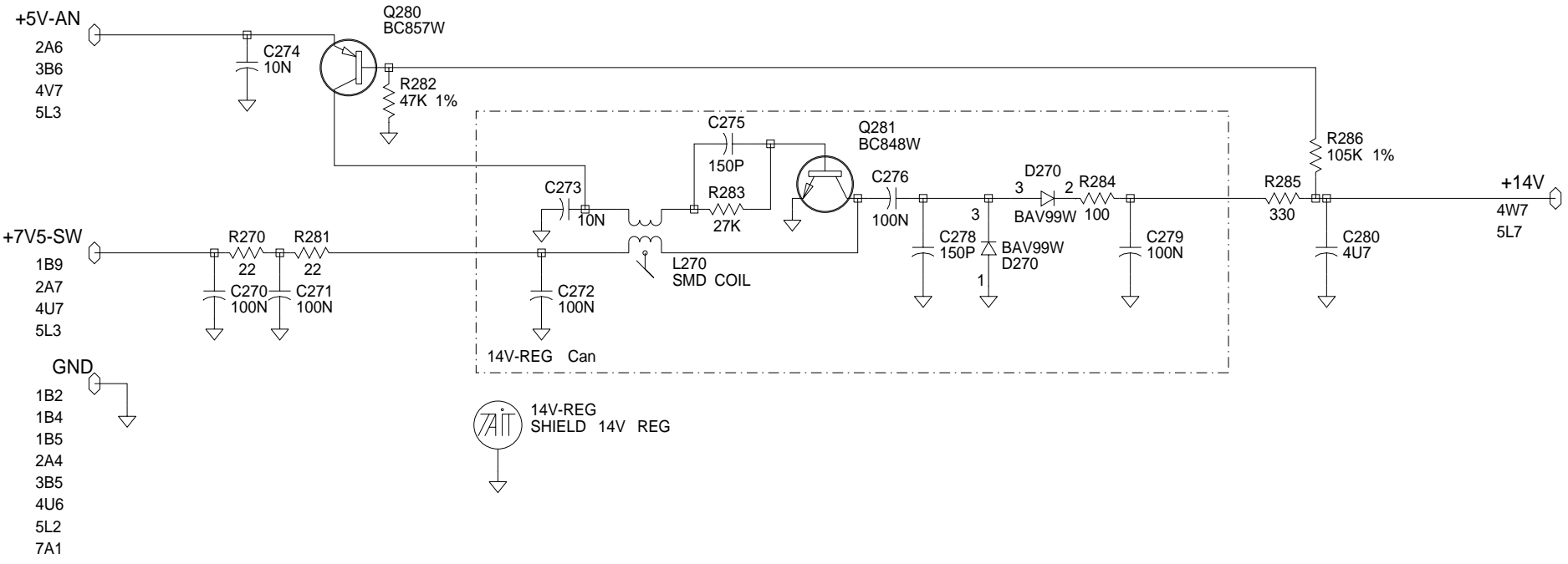
© TAIT ELECTRONICS
 ORCA :TP010-3122 136-174MHZ SYNTHESISER
 IPN: 220-01401-04 ISSUE: E ID: 2.SC. 5
 PROJECT: TAIT ORCA DESIGNER: BRD FILE NAME: 140104E FILE DATE: 31-05-99 NO.SHEETS: 7

REV/ISS	AMENDMENTS	DRAWN	CHKD	D.O.	APVD	DATE

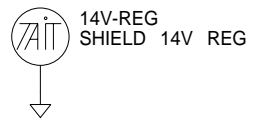
- +5V-AN 2A6
- +5V-AN 3B6
- 4V7 4V7
- +7V5-SW 6C6
- +7V5-SW 7A1
- 1B9
- 2A7
- 4U7
- 6C4
- GND
- 1B2
- 1B4
- 1B5
- 2A4
- 3B5
- 4U6
- 6C3
- 7A1



+14V Regulator (placed in the processor area)



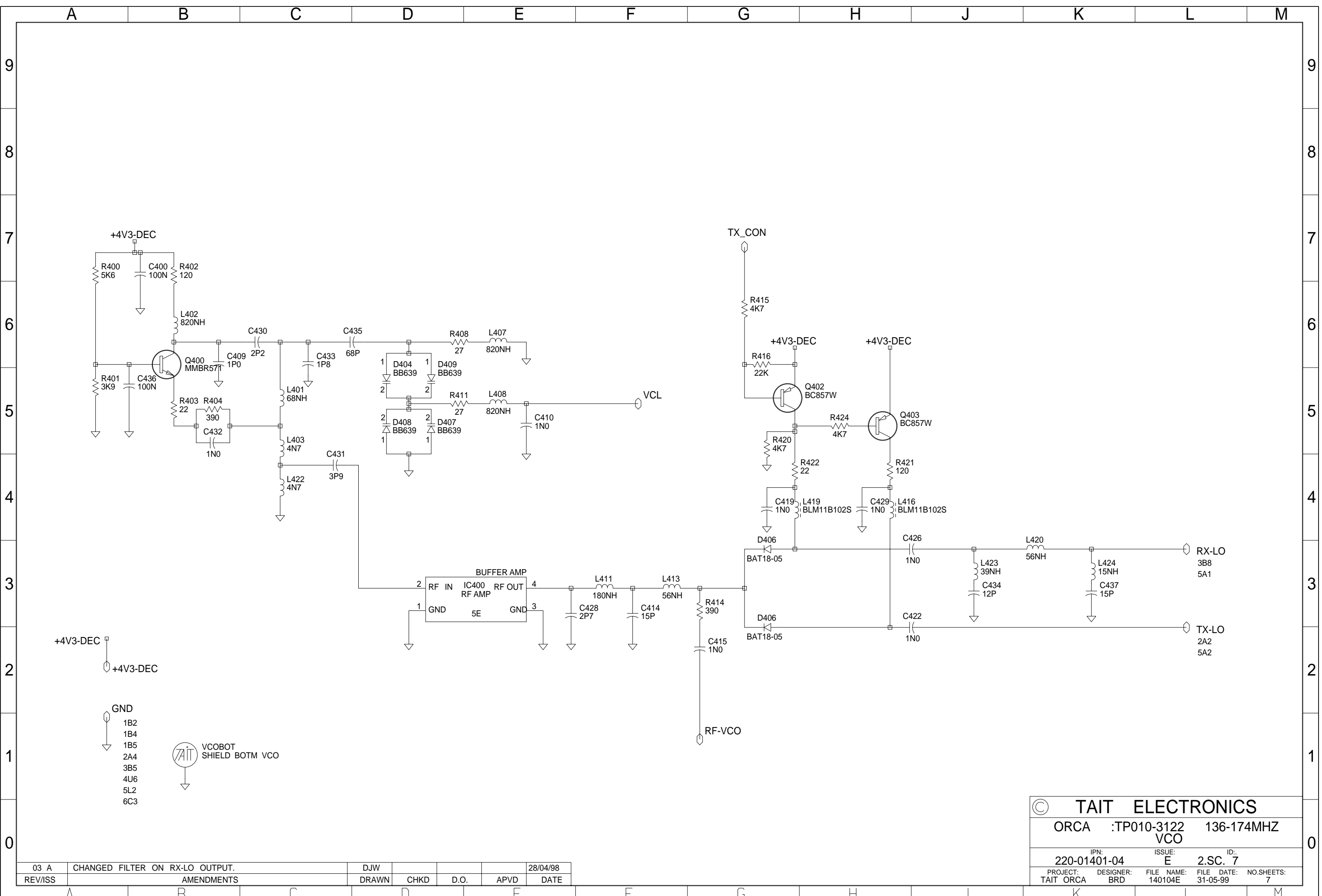
- GND
- 1B2
 - 1B4
 - 1B5
 - 2A4
 - 3B5
 - 4U6
 - 5L2
 - 7A1



- MIC-SEAL MICGROMMET
- SEAL BATT SEAL
- TBADMARK BADMARK
- BBADMARK BADMARK

© TAIT ELECTRONICS				
ORCA	:TP010-3122	136-174MHZ		
+14V REGULATOR				
IPN:	220-01401-04	ISSUE:	E	ID:
			2.SC. 6	
PROJECT:	DESIGNER:	FILE NAME:	FILE DATE:	NO.SHEETS:
TAIT ORCA	BRD	140104E	31-05-99	7

REV/ISS	AMENDMENTS	DRAWN	CHKD	D.O.	APVD	DATE



© TAIT ELECTRONICS
 ORCA :TP010-3122 136-174MHZ
 VCO
 IPN: 220-01401-04 ISSUE: E ID: 2.SC. 7
 PROJECT: TAIT ORCA DESIGNER: BRD FILE NAME: 140104E FILE DATE: 31-05-99 NO.SHEETS: 7

03 A	CHANGED FILTER ON RX-LO OUTPUT.	DJW				28/04/98
REV/ISS	AMENDMENTS	DRAWN	CHKD	D.O.	APVD	DATE